

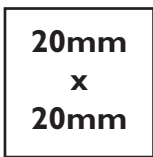
**This document contains 16 A4 pages.**

- Print out all of the pages at 100%. Do not 'scale to fit'.
- Use the test square below to ensure printing at the correct size.
- You will need glue/tape and a pair of scissors or a craft knife.
- Each page is numbered at top left. There is a 20mm overlap between the pages where glue can be applied.
- Using the crop marks at the edge of each sheet, match up the pages as diagram, right.
- You may wish to trim off the excess at the edges of each sheet.
- When complete, cut out the pattern pieces along the outer, seam allowance edge.
- Pin to fabric of your choice, cut out and assemble.

**Order of assembled pages**

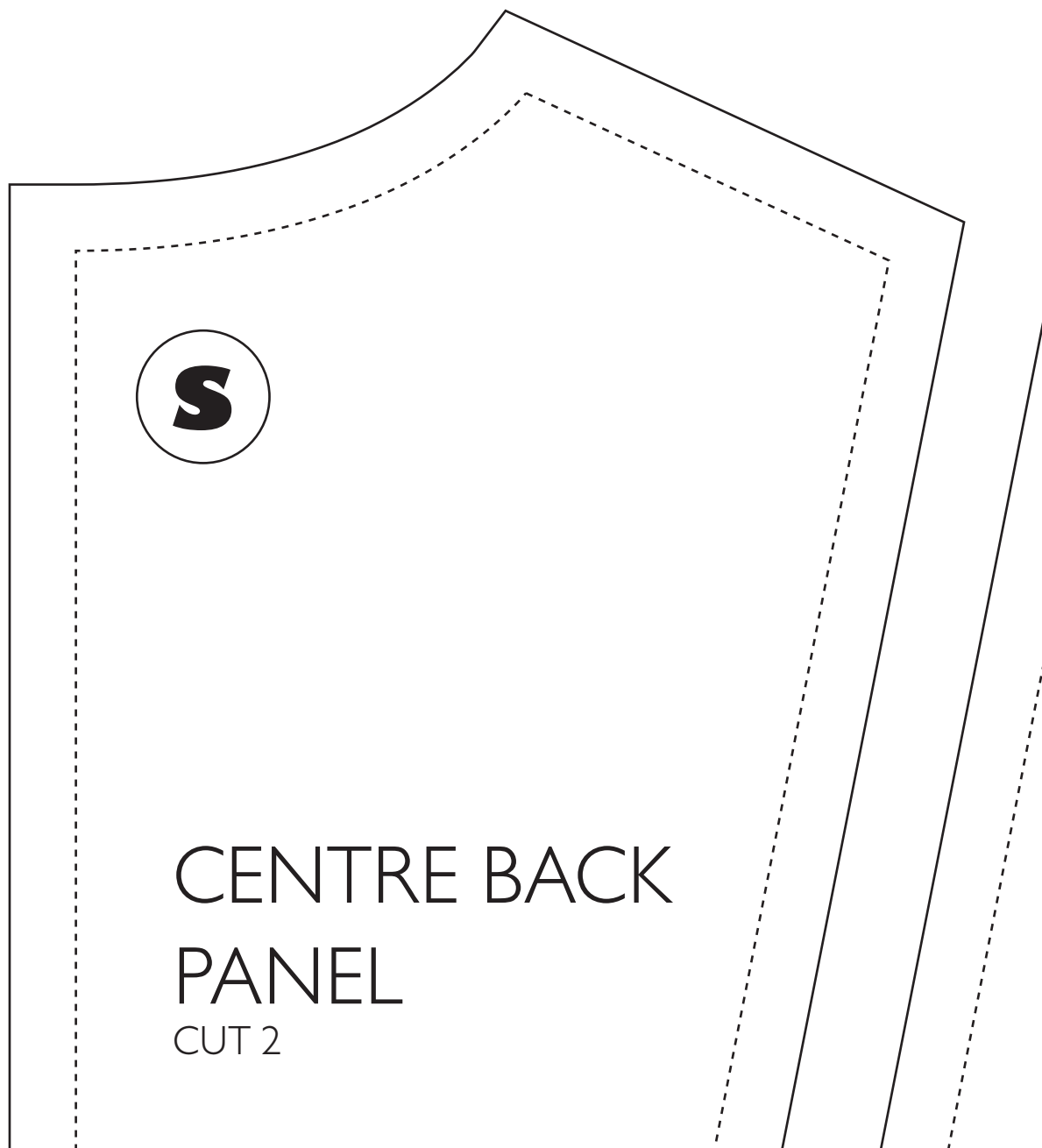
1,1	2,1	3,1	4,1
1,2	2,2	3,2	4,2
1,3	2,3	3,3	4,3
1,4	2,4	3,4	4,4

↑ 20mm overlap



**Print Size Test Square**

When printed, the square at left should measure exactly 20mm x 20mm. If not, check your print settings and ensure that you're printing each page at 100% with no 'scaling'.





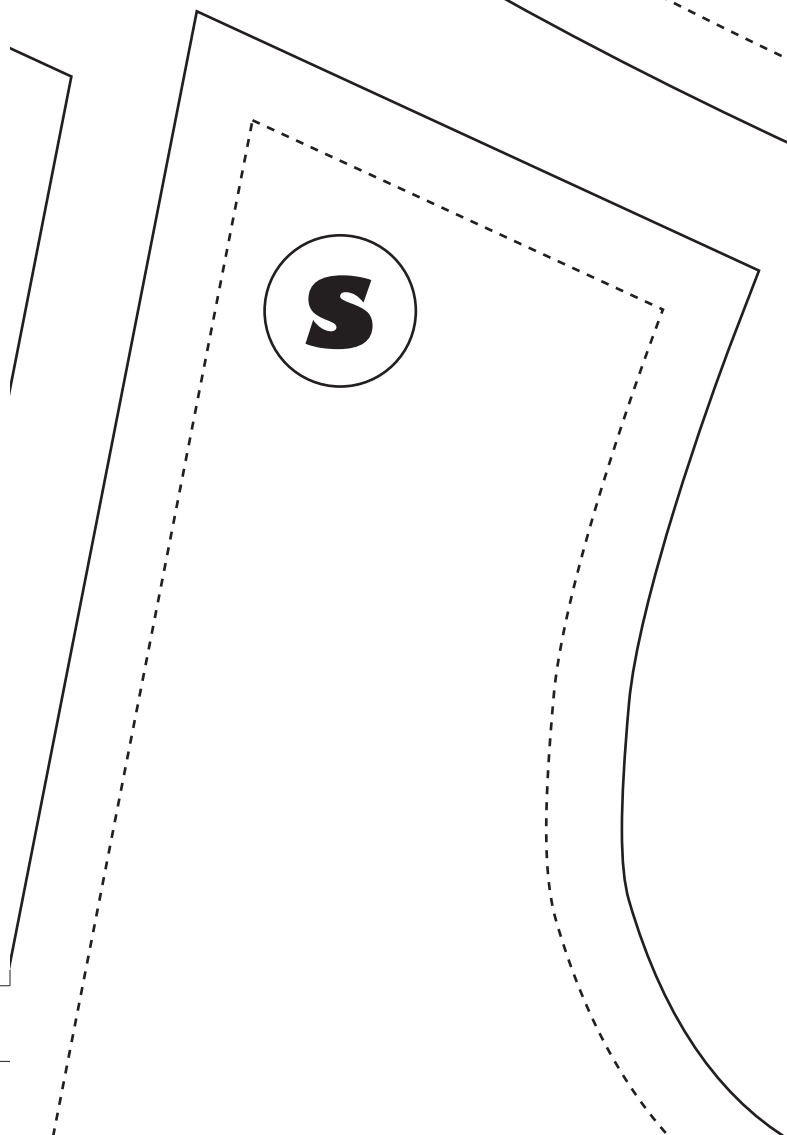
CENTRE BACK SEAM



# NECK COVER

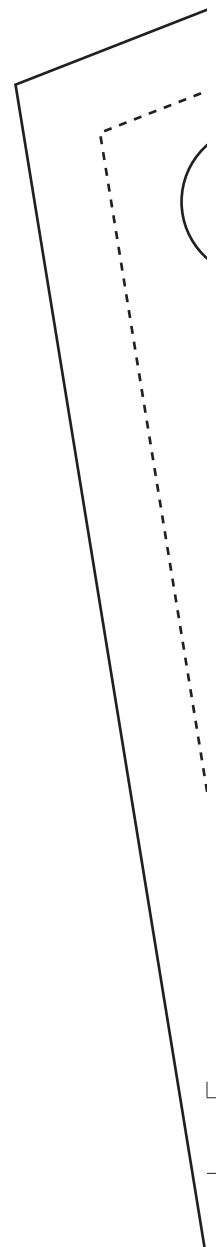
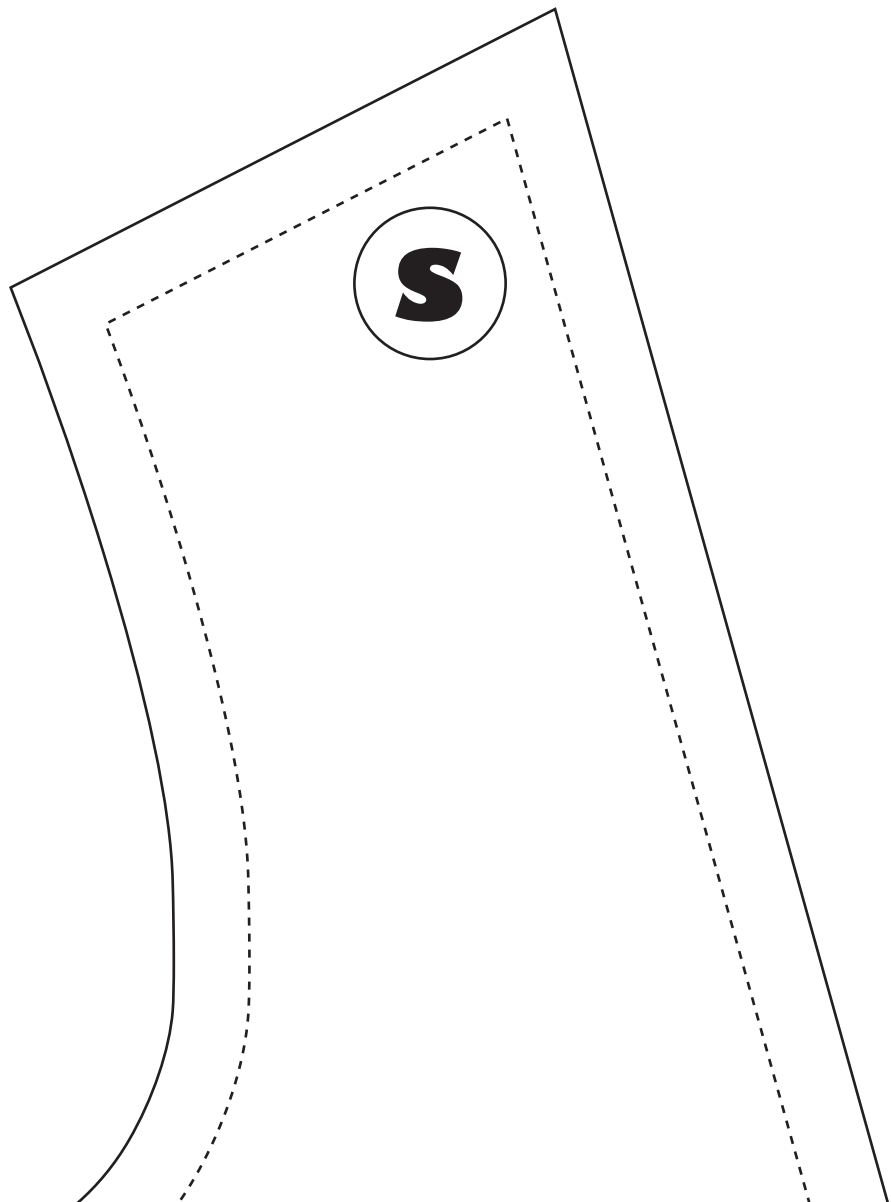
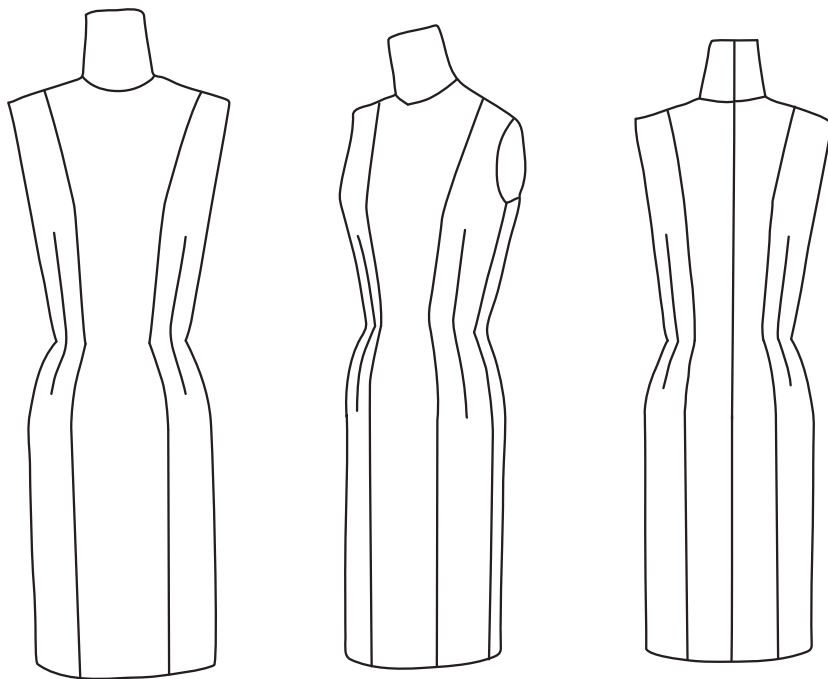
CUT 1 ON FOLD

CENTRE FRONT



St  
FA

CENTRE FRONT FOLD

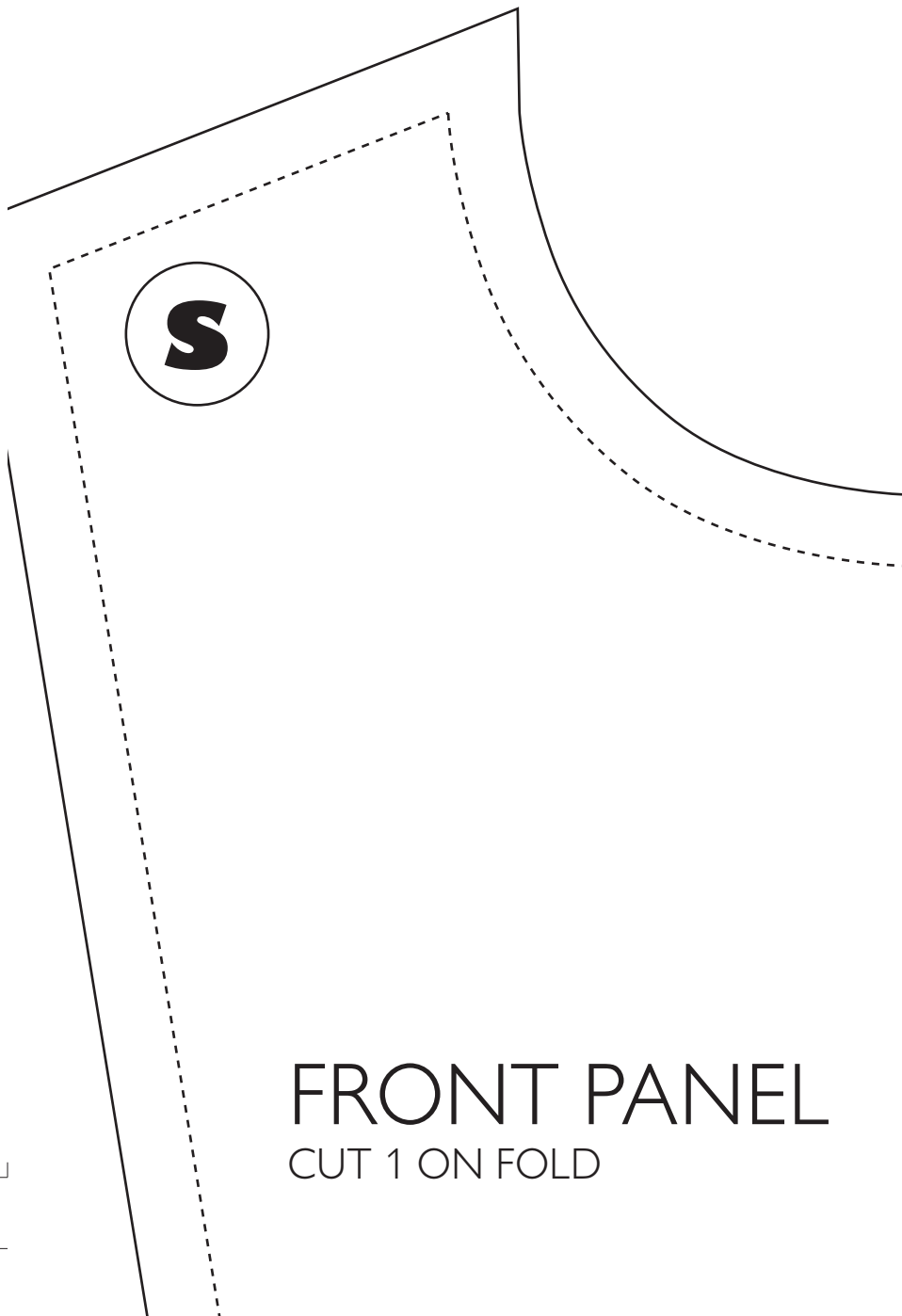




# Shoben Flatpack Dress Stand

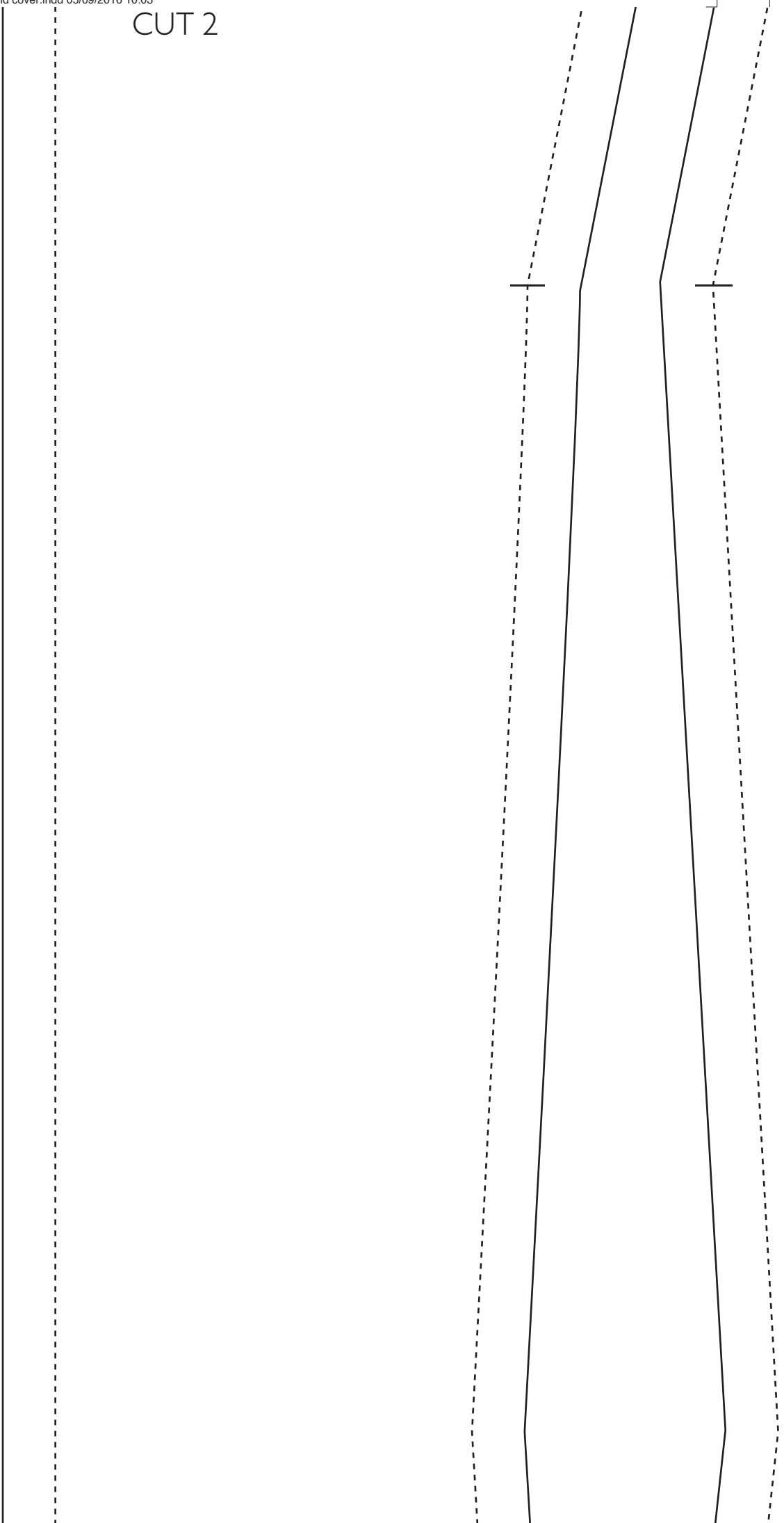


1cm seam allowances added



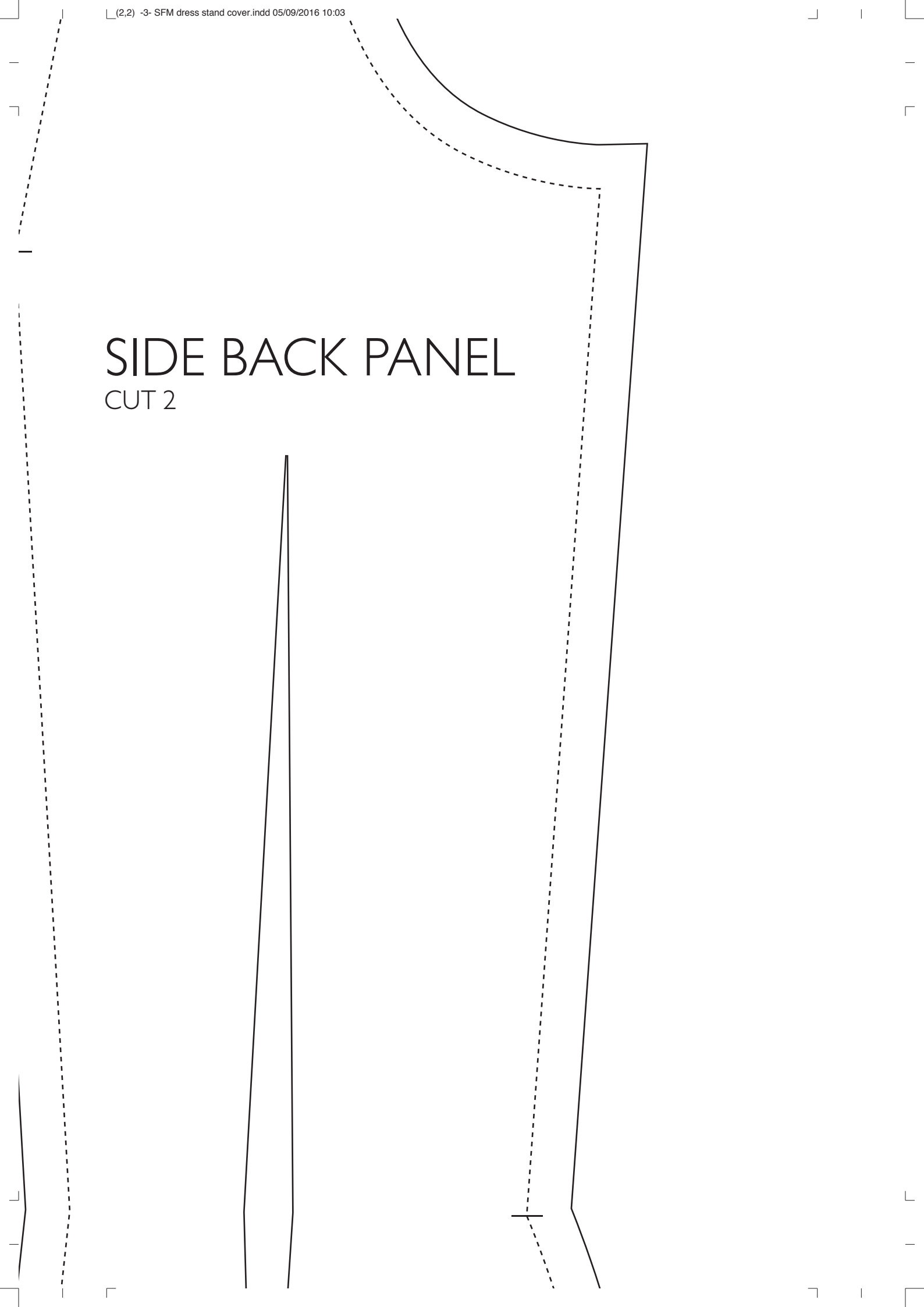
FRONT PANEL  
CUT 1 ON FOLD

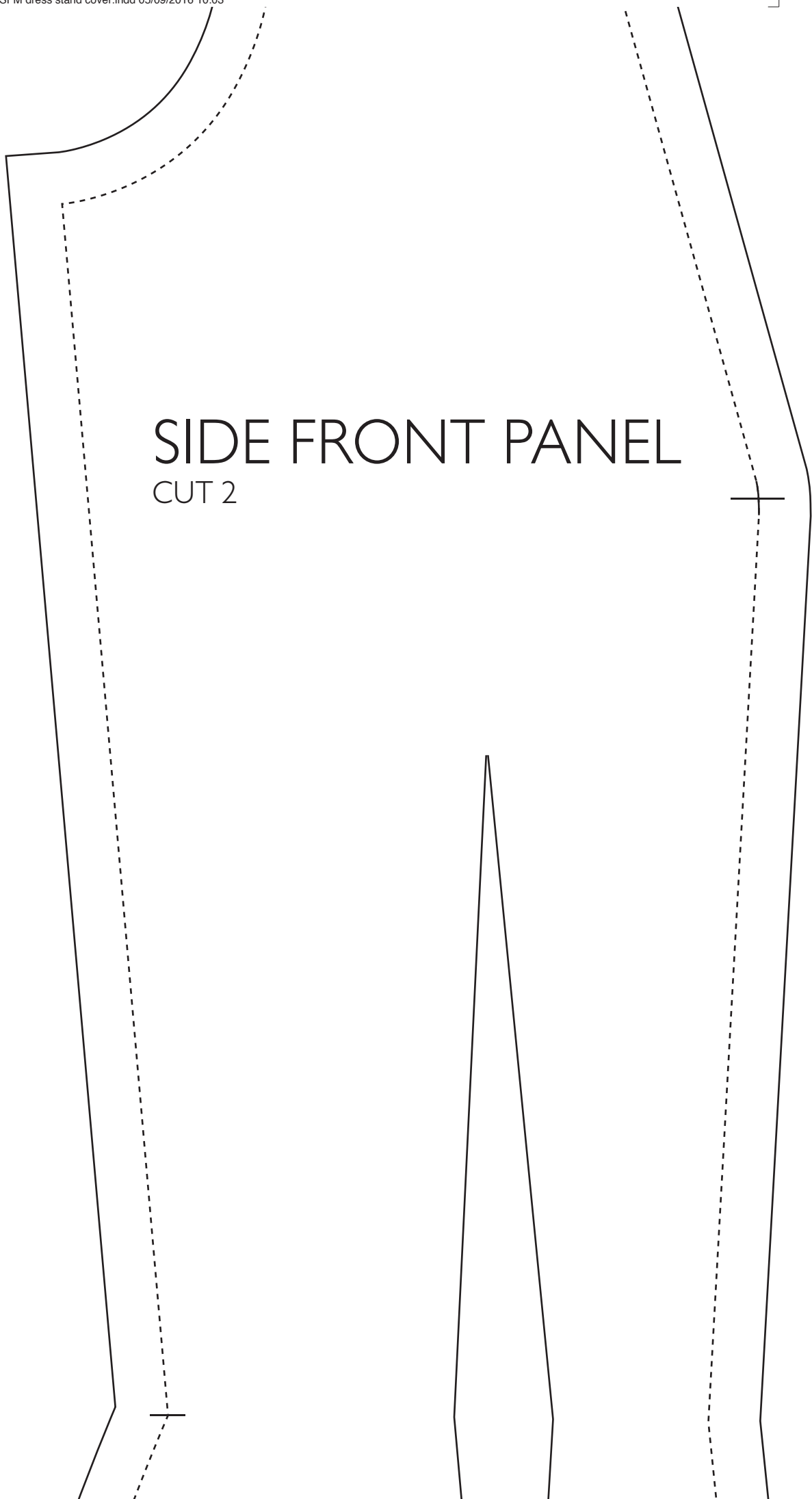
# CUT 2



# SIDE BACK PANEL

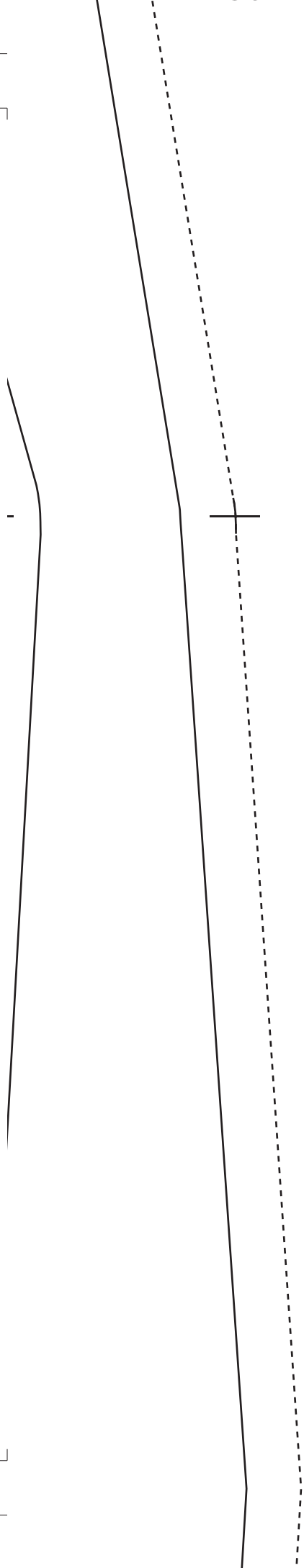
CUT 2





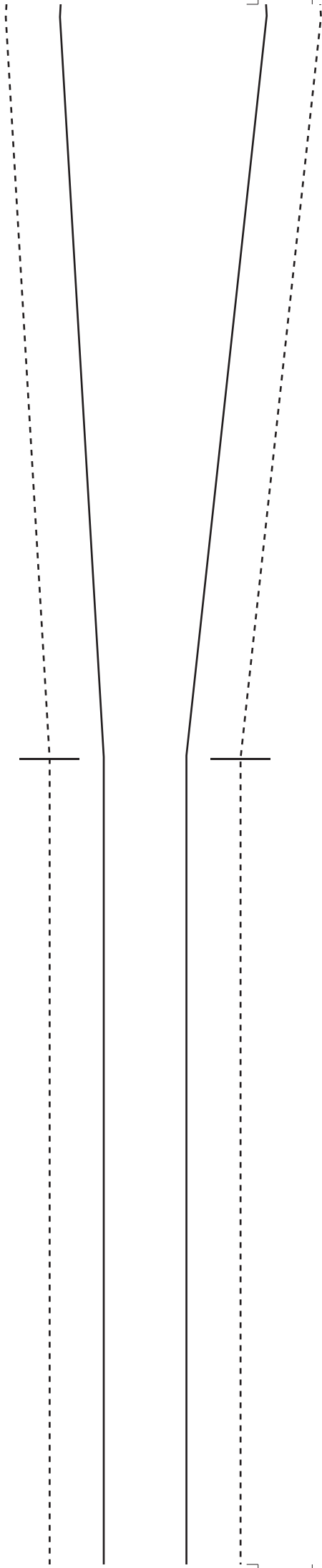
# SIDE FRONT PANEL

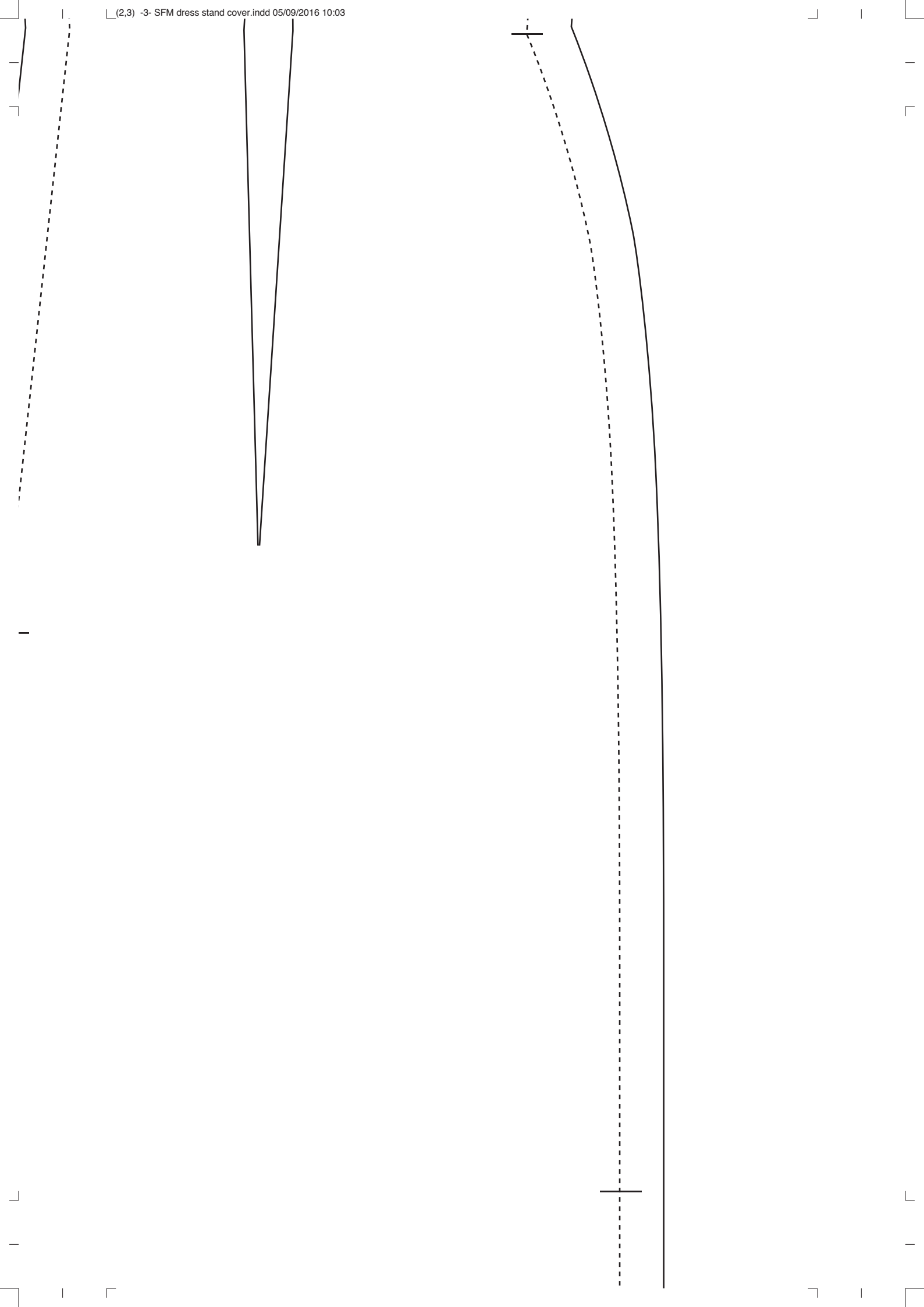
CUT 2

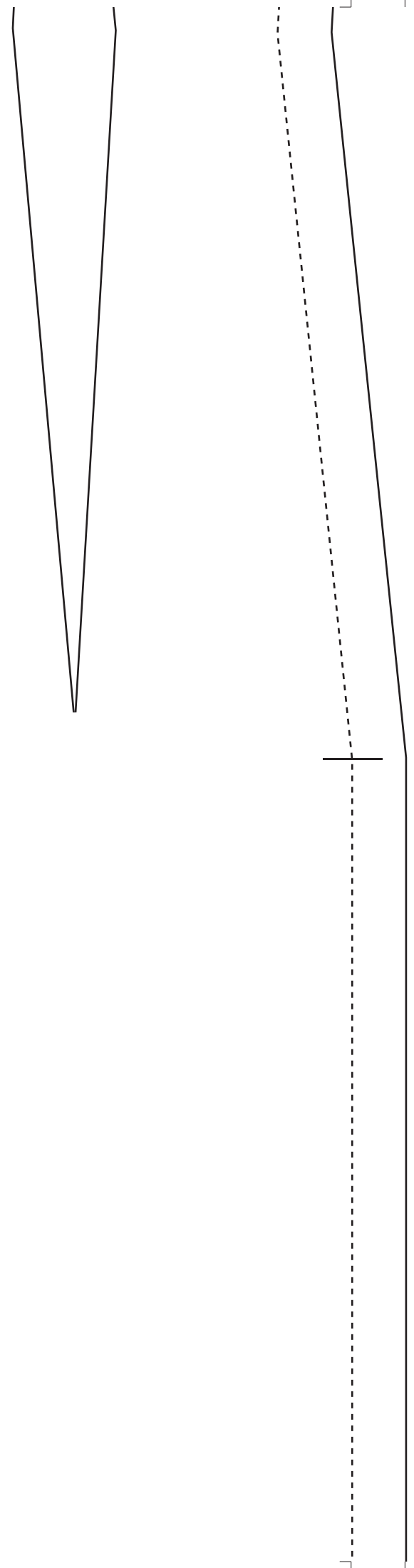
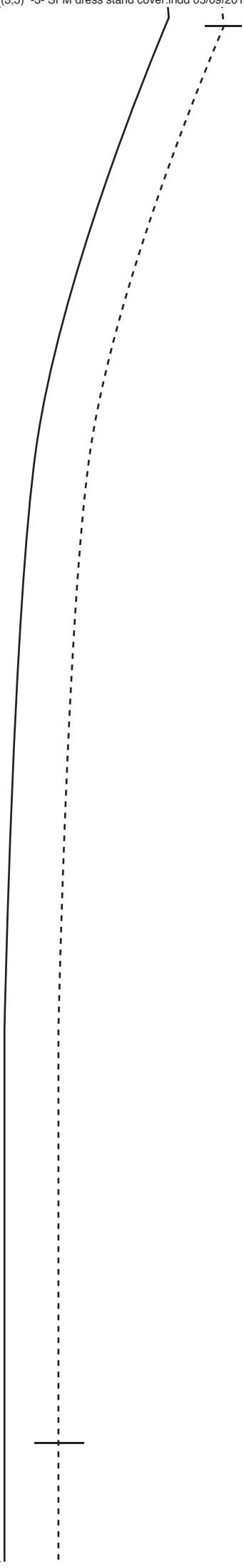


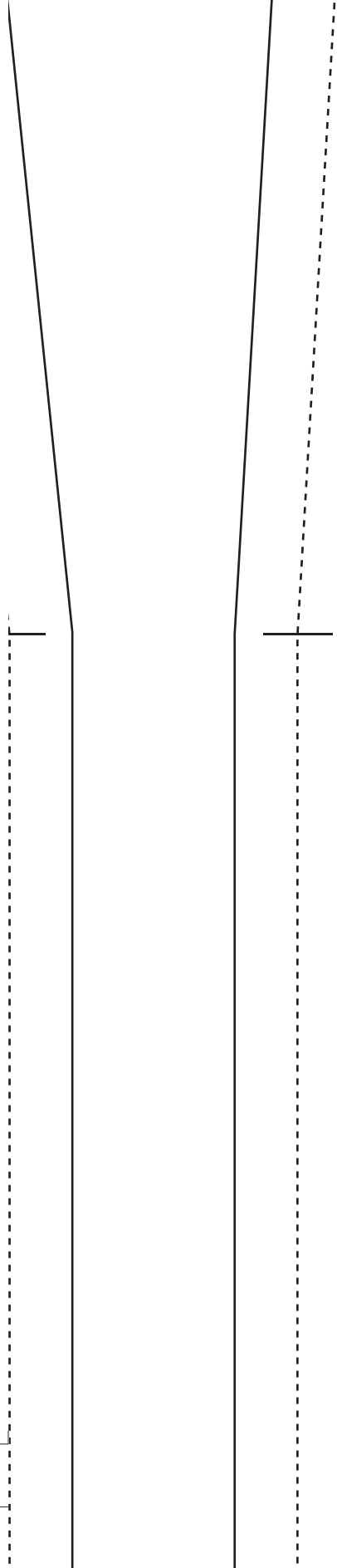


**CENTRE BACK SEAM**









**CENTRE FRONT FOLD**



